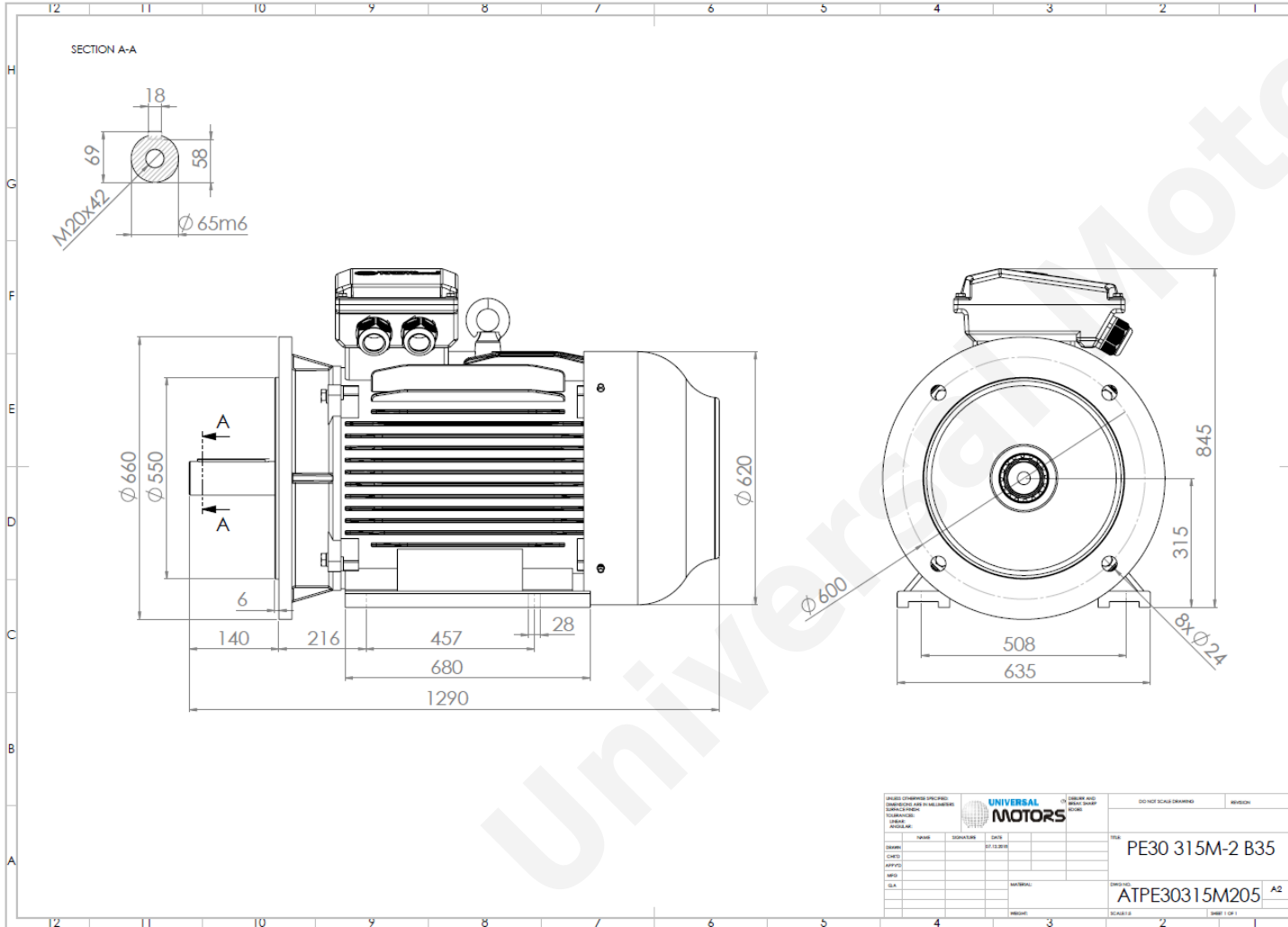




TECHNICAL DATA

Three Phase Electric Motors - Cast Iron Frame
 PE30 315 M 2 IE3
 132 kW / 180 Cv
 2980 RPM



Motor type:	PE30 315 M 2 IE3
Output:	132 kW / 180 Cv
Speed (min ⁻¹):	2980 RPM
Frequency:	50 Hz
Voltage:	400 V
Current:	224.0 A
Power factor (Cos Ø):	0.90
Poles:	2
Insulation class:	F
Temperature rise Class:	B
Efficiency 50%:	94.6 %
Efficiency 75%:	95.5 %
Efficiency 100%:	95.4 %
Torque:	423 N.m
Tstarting/Tnominal:	1.8
Istarting/Inominal:	7.1
Tmaximum/Tnominal:	2.3
Noise:	92 Db(A)
Weight:	950 Kg
Bearing DE:	6317 C3
Bearing NDE:	6317 C3

Regime - S1

Altitude - 1000m

Environment Temperature - 40°C

CONTACTS:

UNIVERSAL MOTORS Tel: +351 252 299 080
 Rua de São Brás,745 Fax: +351 252 299 089
 4480-782 VILA DO CONDE Mail: geral@universalmotors.pt

* References applied only in the UK